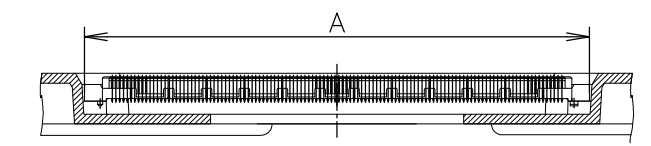
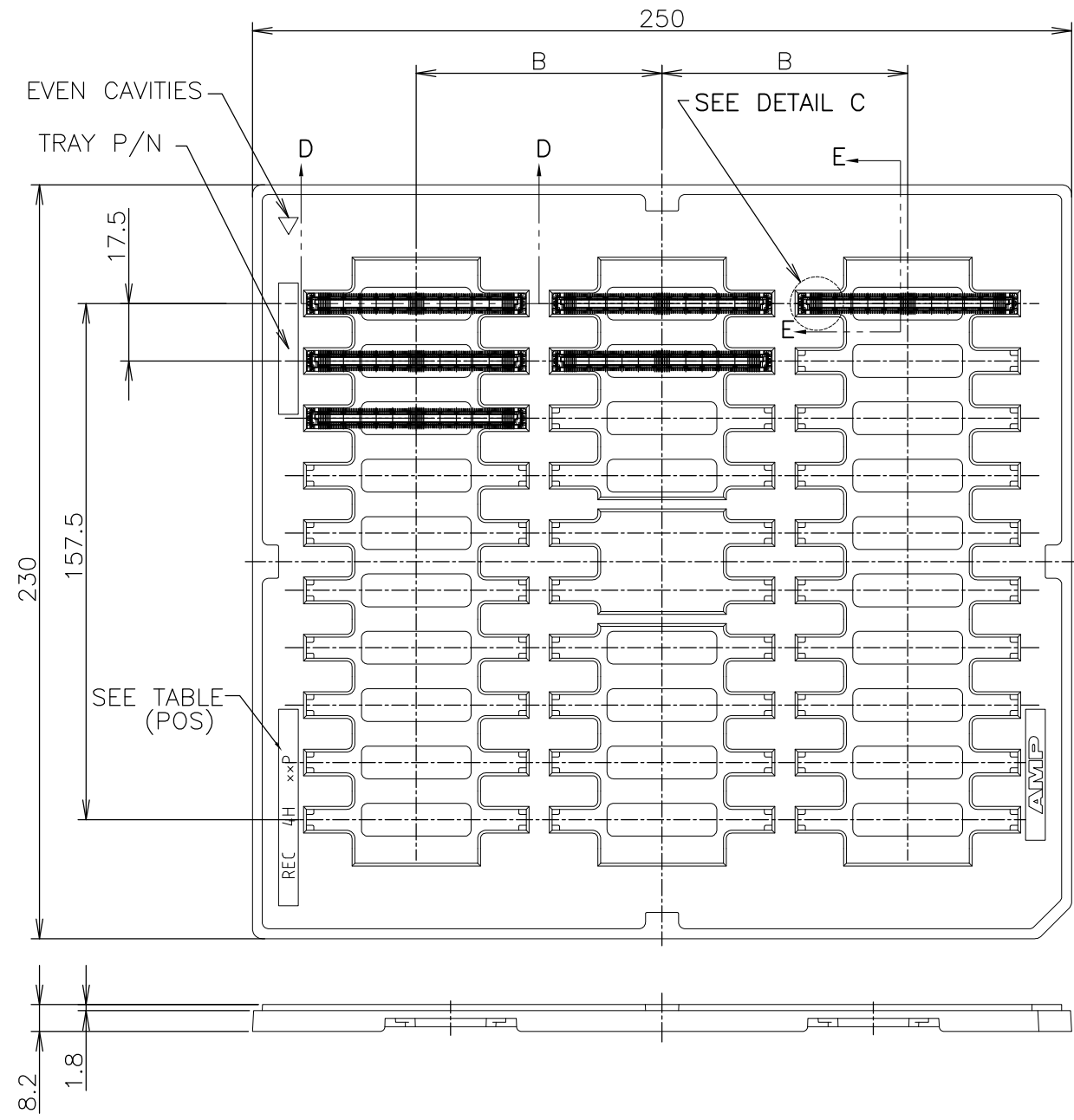
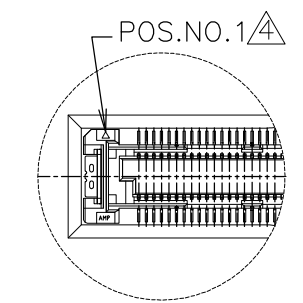


THIS DRAWING IS UNPUBLISHED. RELEASED FOR PUBLICATION .2005.  
 © COPYRIGHT 2005 By - ALL RIGHTS RESERVED.

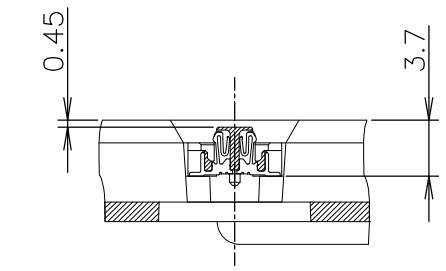
LOC	DIST	REVISIONS			
P	LTR	DESCRIPTION	DATE	DWN	APVD
ES		B1	REVISED PER ECO-11-005033	26MAR11	RK HMR



SECT. D-D  
(SCALE 2:1)  
(CONNECTOR NOT SECTION)




DETAIL C  
(SCALE 2:1)



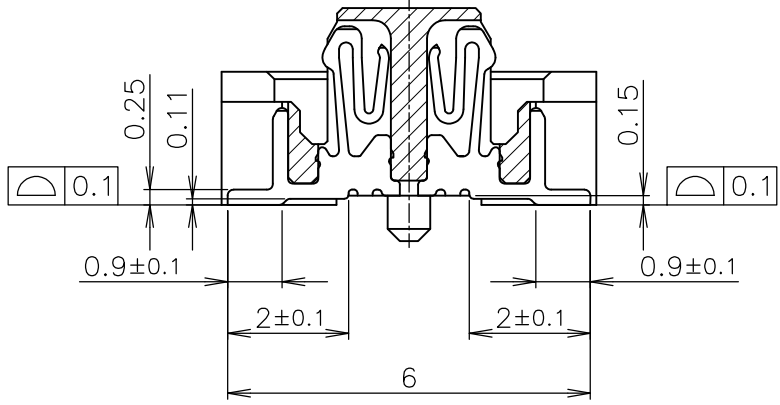
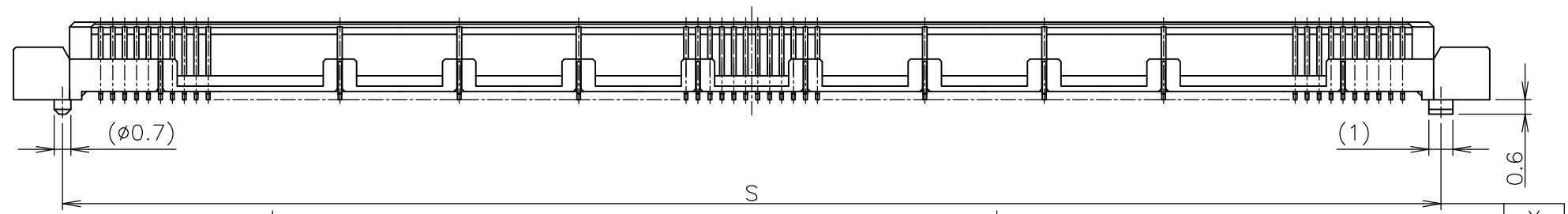
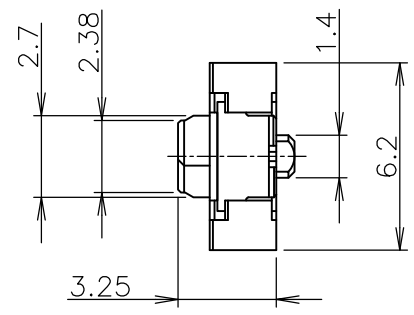
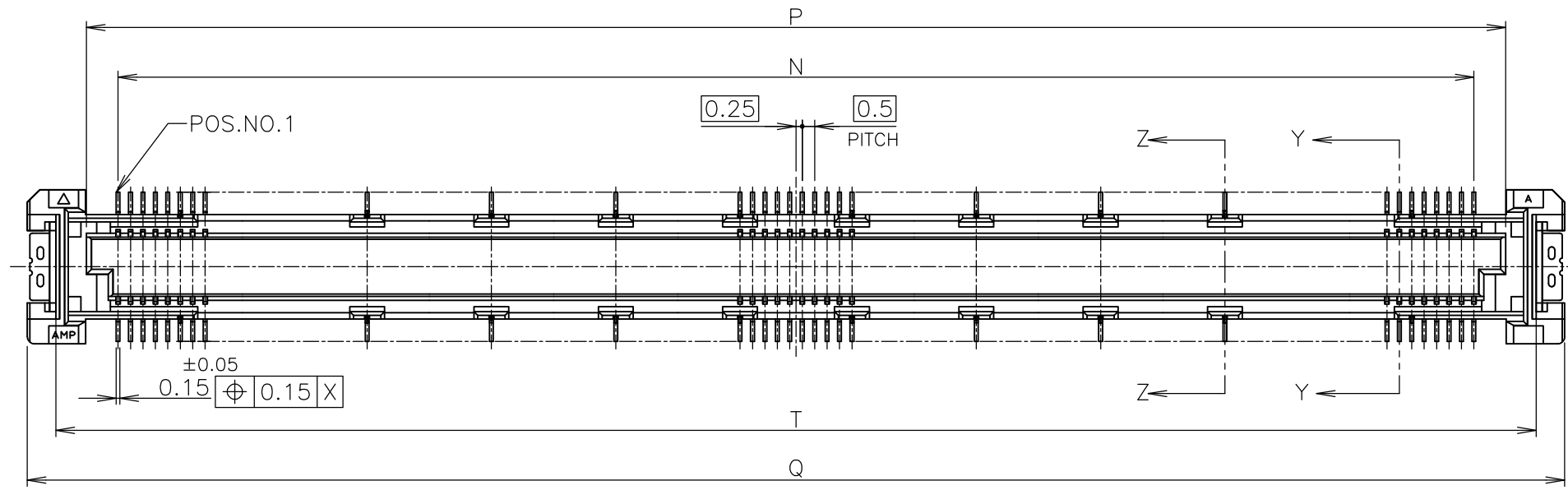
E-E  
(SCALE 2:1)

	YES	3	30	75	61.8	220	8-6318490-6
	NO	3	30	75	61.8	220	3-6318490-6
	SEALANT	ROW	QTY	B	A	POS.	PART NO.

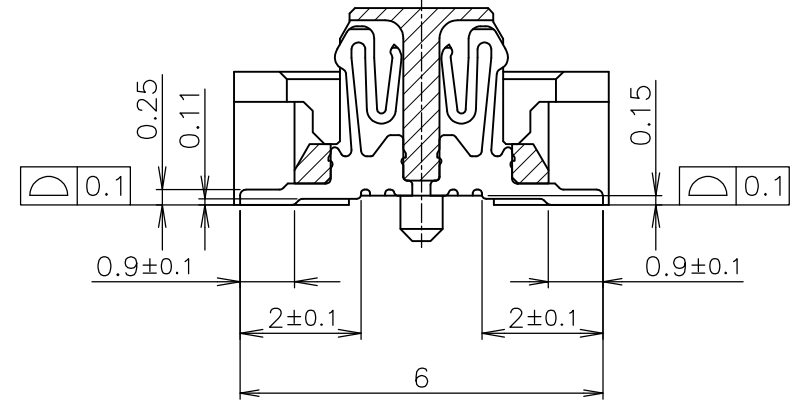
THIS DRAWING IS A CONTROLLED DOCUMENT.		DWN	BILL LV	150CT10	 TE Connectivity NAME HARD TRAY ASSY FH 0.5BTB CONNECTOR 220POS REC 4H WITH GROUND PLATE		
DIMENSIONS: MM		CHK	MARTIN LI	150CT10			
TOLERANCES UNLESS OTHERWISE SPECIFIED:		APVD	STEVEN YAO	150CT10			
0 PLC ± 0.3 1 PLC ± 0.3 2 PLC ± 0.3 3 PLC ± 0.3 4 PLC ± 0.3 ANGLES ± 3°		PRODUCT SPEC	108-5560	APPLICATION SPEC			
MATERIAL		FINISH			WEIGHT	SIZE	A3
		CUSTOMER DRAWING		SCALE	1:2	SHEET	1 OF 3
				RESTRICTED TO		REV	B1

THIS DRAWING IS UNPUBLISHED. RELEASED FOR PUBLICATION .2002.  
 © COPYRIGHT 2002 By - ALL RIGHTS RESERVED.

LOC	DIST	REVISIONS			
P	LTR	DESCRIPTION	DATE	DWN	APVD
-	-	-SEE SHEET 1-	-	-	-



SECT. Z-Z  
(GROUND POSITION)  
(SCALE 8:1)



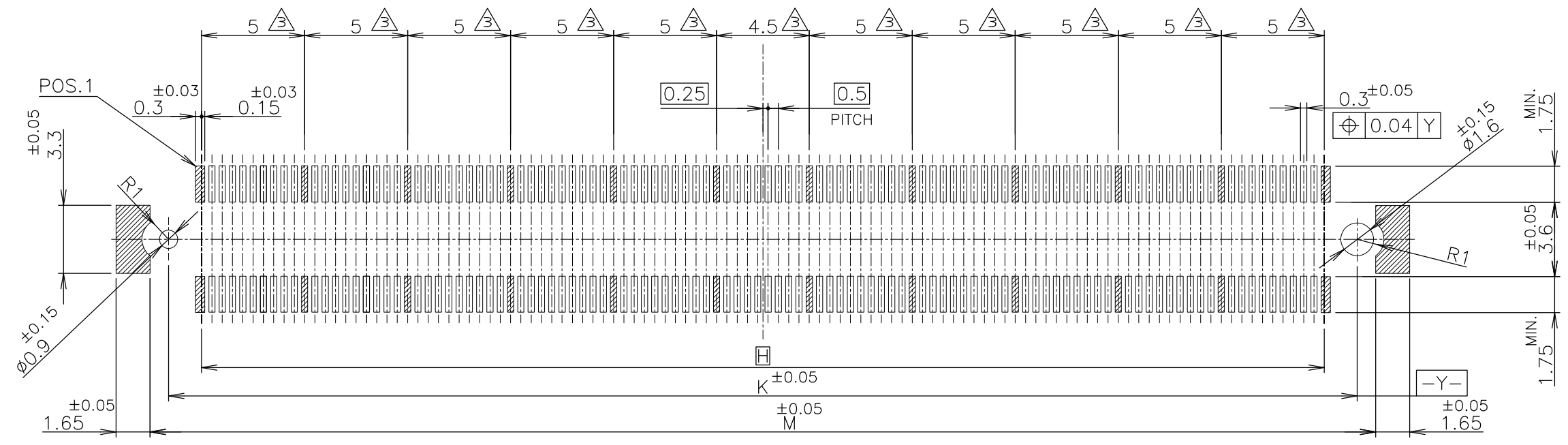
SECT. Y-Y  
(SIGNAL POSITION)  
(SCALE 8:1)

59.5	57.7	61.8	57.1	54.5	220	BLACK	8-6318490-6
59.5	57.7	61.8	57.1	54.5	220	BLACK	3-6318490-6
T	S	Q	P	N	POS.	HSG COLOR	PART NO.

THIS DRAWING IS A CONTROLLED DOCUMENT.		DWN	TE Connectivity NAME HARD TRAY ASSY FH 0.5BTB CONNECTOR 220POS REC 4H WITH GROUND PLATE				
DIMENSIONS: MM		CHK					
TOLERANCES UNLESS OTHERWISE SPECIFIED:		APVD					
0 PLC ± 0.3 1 PLC ± 0.3 2 PLC ± 0.3 3 PLC ± 0.3 4 PLC ± 0.3 ANGLES ± 3°		PRODUCT SPEC					
MATERIAL		APPL. SPEC	SIZE	CAGE CODE	DRAWING NO	RESTRICTED TO	
1		WEIGHT	A3	00779	C-6318490		
2		CUSTOMER DRAWING		SCALE	SHEET	REV	
				4:1	2 OF 3	B1	

THIS DRAWING IS UNPUBLISHED. RELEASED FOR PUBLICATION ,2002.  
 © COPYRIGHT 2002 By - ALL RIGHTS RESERVED.

LOC	DIST	REVISIONS			
P	LTR	DESCRIPTION	DATE	DWN	APVD
-	-	-SEE SHEET 1-	-	-	-



REFERENCE P.C.BOARD LAYOUT

NOTES

- ① MATERIAL ; HOUSING : HIGH TEMP THERMO PLASTIC UL94V-0  
 CONTACT : COPPER ALLOY  
 SOLDER PEG : COPPER ALLOY
- ② FINISH ; SIGNAL CONTACT : UNDER PL Ni  
 0.0013mm MIN ALL OVER.  
 CONTACT AREA  
 0.0002mm MIN Au PL.  
 SOLDERING AREA  
 0.00005mm MIN Au PL.
- GROUND CONTACT : UNDER PL Ni  
 0.0013mm MIN ALL OVER.  
 CONTACT AREA  
 0.0002mm MIN Au PL.  
 SOLDERING AREA  
 0.001mm MIN TIN PL.
- SOLDER PEG : 0.001mm MIN  
 TIN PL. OVER  
 0.0013mm MIN  
 Ni PL ALL OVER.
- ③ THIS POSITION IS GROUND CIRCUIT.
- ④ THE PRODUCT WAS COATED BY FLUX-PENETRATION-INHIBITING AGENT.

59.5	57.7	54.5	220	8-6318490-6
59.5	57.7	54.5	220	3-6318490-6
M	K	H	POS	PART NO.

THIS DRAWING IS A CONTROLLED DOCUMENT.		DWN		TE Connectivity <b>HARD TRAY ASSY</b> <b>FH 0.5BTB CONNECTOR 220POS</b> <b>REC 4H WITH GROUND PLATE</b>			
DIMENSIONS: MM		CHK				NAME	
TOLERANCES UNLESS OTHERWISE SPECIFIED:		APVD				SIZE	
0 PLC ± 0.3 1 PLC ± 0.3 2 PLC ± 0.3 3 PLC ± 0.3 4 PLC ± 0.3 ANGLES ± 3°		PRODUCT SPEC				CAGE CODE	
MATERIAL		FINISH		DRAWING NO			
				RESTRICTED TO			
		WEIGHT		A3 00779 C-6318490			
CUSTOMER DRAWING				SCALE	4:1		
				SHEET	3 OF 3		
				REV	B1		