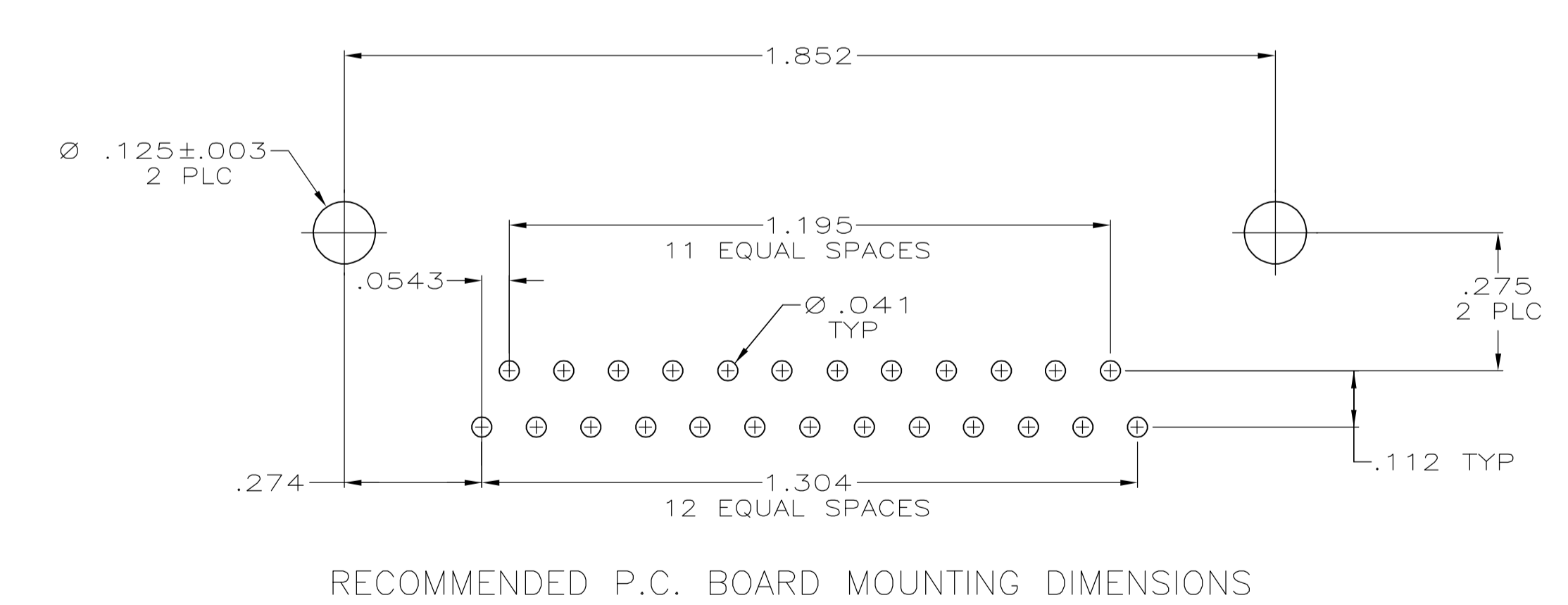
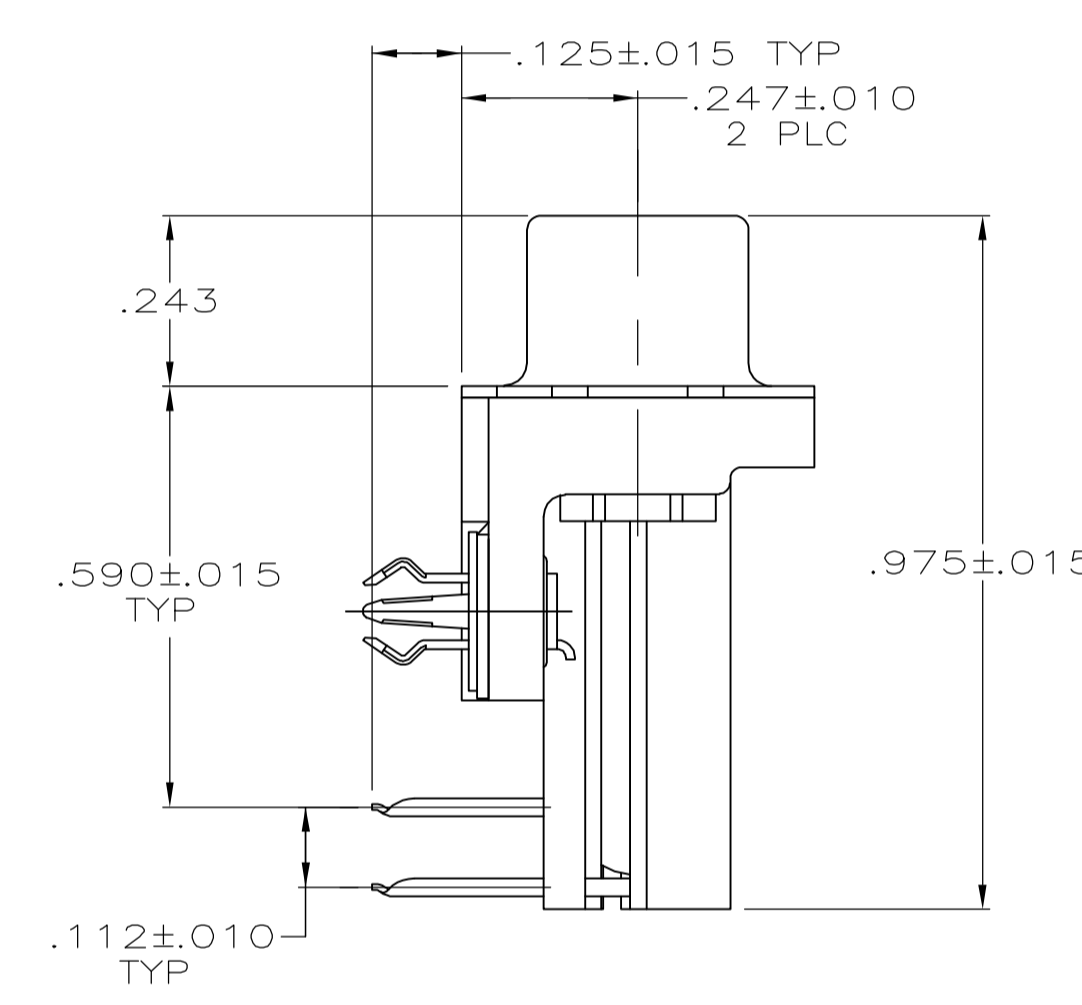
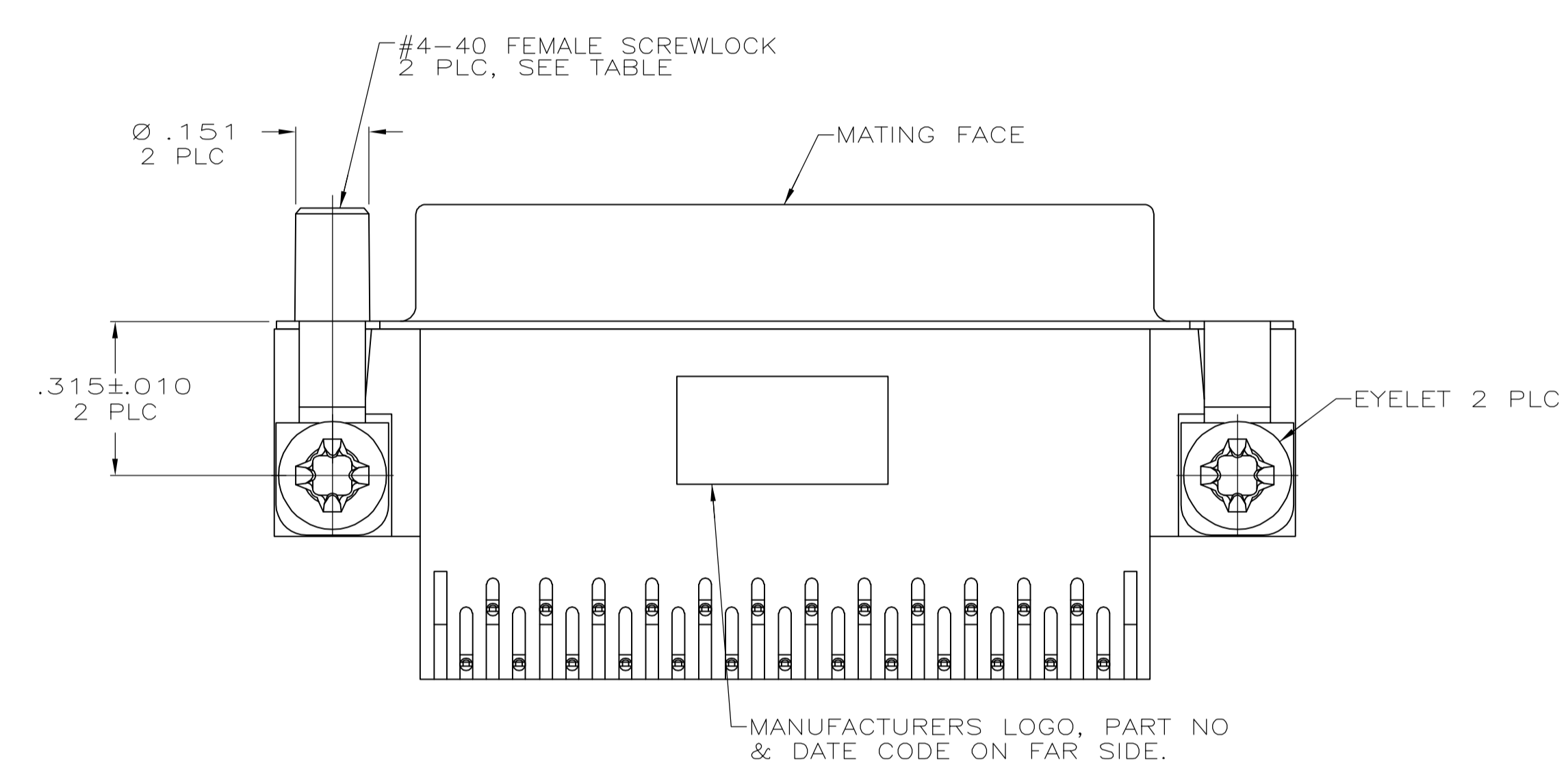
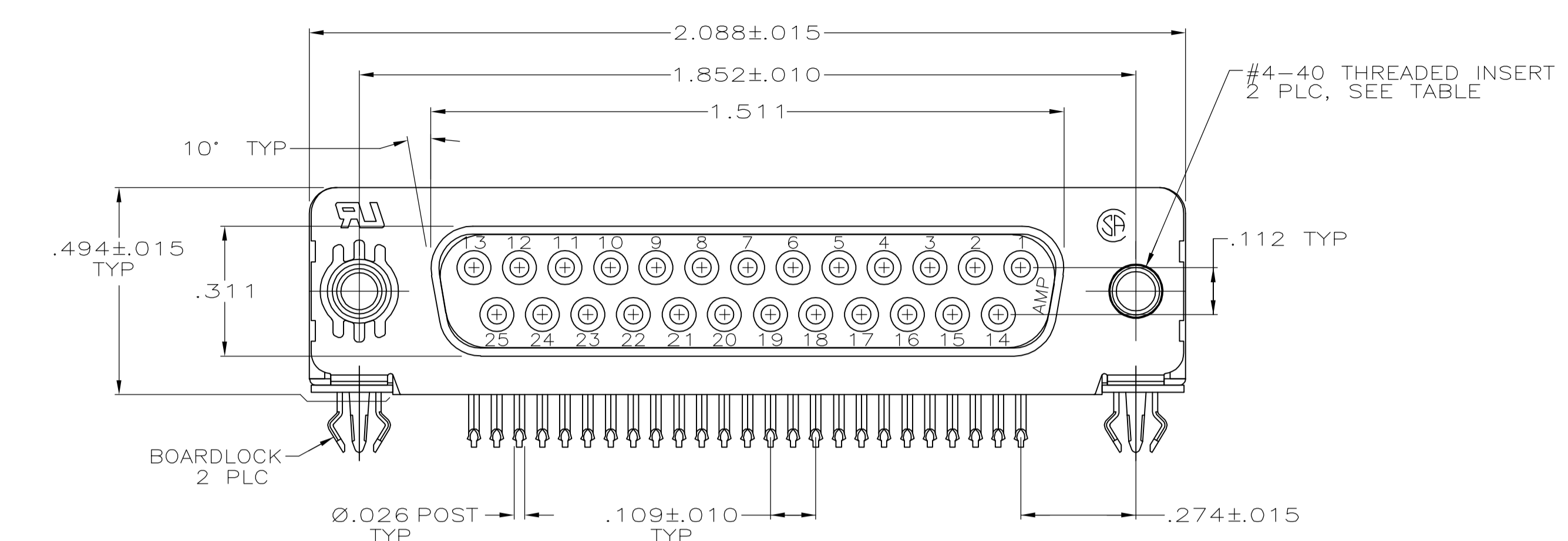


LOC	DIST	REVISIONS					
GP	00	P	LTR	DESCRIPTION	DATE	DWN	APVD
		0		RELEASED PER EC 0513-0016-05	04-12-05	GA	JG



- 1 HOUSING: NYLON OR POLYESTER, FLAME RETARDANT, UL 94V-0 RATED, GLASS FILLED, BLACK.
SHELL: CARBON STEEL
CONTACTS: PHOSPHOR BRONZE
EYELETS: BRASS
SCREWLOCKS: ZINC
INSERTS: ZINC
BOARDLOCKS: COPPER ALLOY
- 2 SHELL: .000100 MIN TIN OVER .000050 MIN COPPER.
EYELETS: .000100 MIN TIN OVER COPPER FLASH.
CONTACTS: SEE TABLE
BOARDLOCKS: .000150 MIN TIN OVER .000050 MIN NICKEL.
INSERTS: CLEAR CHROMATE
SCREWLOCKS: CLEAR CHROMATE
- 3 GOLD FLASH FOR A DISTANCE OF .100 MIN FROM MATING END, .000100 MIN TIN ON TERMINATION END, ALL OVER .000050 MIN NICKEL ON ENTIRE CONTACT.
- 4 .000030 MIN GOLD FOR A DISTANCE OF .100 MIN FROM MATING END, .000100 MIN TIN ON TERMINATION END, ALL OVER .000050 MIN NICKEL ENTIRE CONTACT.

FEMALE SCREWLOCKS	4	5747838-6
THREADED INSERTS	4	5747838-4
THREADED INSERTS	3	5747838-3
MOUNTING HARDWARE	CONTACT FINISH	PART NUMBER

**COPYRIGHT 2005
TYCO ELECTRONICS CORP
ALL RIGHTS RESERVED**

THIS DRAWING IS A CONTROLLED DOCUMENT.		DWN G. ATTADIA - DOCKS 04-12-05	DRK S. BOLASH 04-12-05	APVD M. WALMSLEY 04-12-05	NAME RECEPTACLE ASSEMBLY, SIZE 3, 25 POSITION, RIGHT ANGLE, FRONT METAL SHELL, .590 SERIES, .026 DIA POSTS, BOARDLOCKS, AMPLIMITE HD-20
DIMENSIONS:	TOLERANCES UNLESS OTHERWISE SPECIFIED:	PRODUCT SPEC	APPLICATION SPEC	SIZE	CAGE CODE DRAWING NO
INCHES:	0 PLC ± -	108-40025	114-40010	A1	00779
	1 PLC ± -				
	2 PLC ± .005				
	3 PLC ± .005				
	4 PLC ± - z				
MATERIAL	FINISH	WEIGHT	CUSTOMER DRAWING	SCALE	SHEET
				4:1	1 OF 1